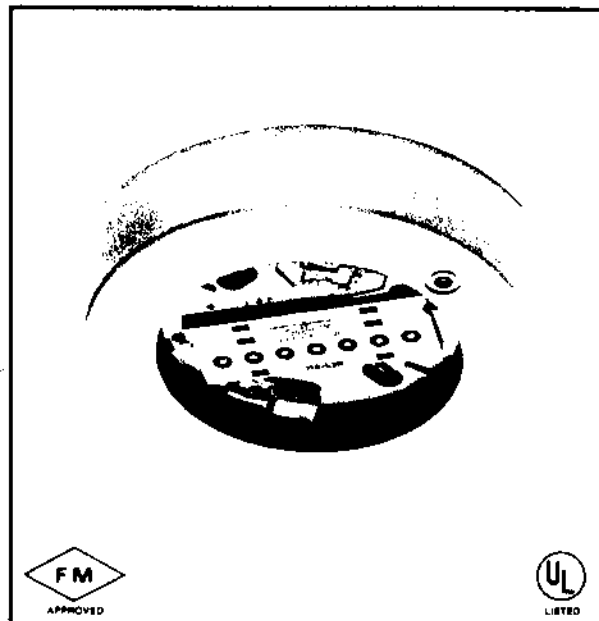


2 WIRE HA-Style Lamped Bases

Hochiki America fire protection detectors are divided into the detector head and the detector base, making for simplicity of installation. The HA-Style base is sufficiently large so it can house a variety of electronics including relays and heat detectors. Both of these options are available individually or together. It also allows mounting directly to a 4 inch octagonal outlet box.

FEATURES

- The detector base can be used in common with all Hochiki America smoke detectors enabling one type of detector to be replaced with another type.
- A conduit box is generally used when installing the detector. It is recommended that a 4 inch octagonal box be used when possible. Adapter plates are required for 4-S boxes.
- Built-in LED to signal the alarm mode has been reached. Alarm causes the LED to illuminate.
- Flame retardant off-white plastic matching the detector head.
- Head to base terminal design creates an open circuit condition whenever the head is removed. Contacts are bifurcated for ultimate reliability.
- Head to base locking is standard.
- Base diameter eliminates need for any dress plate to cover cut-outs in ceiling as radius of base is approximately 1 inch greater than outlet box.
- LED is contained within the basic base contour offering greater protection against physical damage yet high visibility.
- Screw terminals are provided so that relay and other system functions may be easily connected in the field.
- All terminals are labeled with their individual purpose and, where significant, the polarity is given as well.



MODEL HA-L ()

- System checkout can be made with the base installed in place as wiring terminals are feed-through design, and so are readily accessible for metering when head is removed from base.

APPLICATION

Lamped bases are recommended in all systems as it is desirable to pinpoint the area of the alarm quickly. Where a detector is not easily viewed, it is often necessary to use the remote annunciator feature afforded by the base. The relay bases offer an additional feature with which any number of circuit variations can be accomplished. Door drops, utility shut-downs, remote signaling where power requirements vary, any number of switching functions handled by a N/O or N/C contact rated at 1 amp 28VDC.



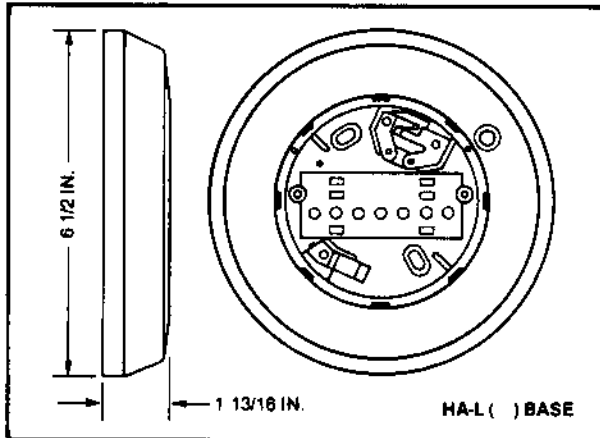
ALPHA-LARM A Division of HOCHIKI AMERICA CORPORATION

5415 INDUSTRIAL DRIVE, HUNTINGTON BEACH, CA 92649 • (714) 898-0795

CONSTRUCTION

The HA base is made from Noryl Plastic compounded by General Electric, and approved by UL and FM for use in fire alarm products. The plastic is pliable enough so as to conform to slight surface irregularities, but yet rigid enough to provide the needed mechanical support. This base is recommended for general use as it will mount directly to a 3 or 4 inch octagonal outlet box.

The electronics are housed within the base and a cover secured by 2 screws protects these electronics from contamination or accidental touching or shorting.



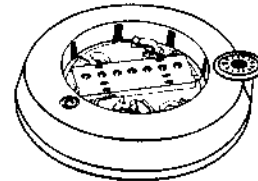
MODELS AND OPTIONS

MODEL	ANN.	RELAY	ALM. CRNT.
HA-L22	24VDC		90 mA
HA-L22R	24VDC	SPDT	60 mA
HA-L22A	24VDC		45mA
HA-L2	24VDC		20mA
HA-L2R	24VDC	SPDT	30mA
HA-L2A	24VDC		40mA
HA-SL	3VDC		50mA
HA-SLR	3VDC	SPDT	50mA
HA-L220	24VDC		90mA

OPTIONS:

1. Add "C" after model number and you get an Ann. output current limited to operate a remote LED.

2. Add "H" after model number and you get a heat detector added to the base. (135 °F)

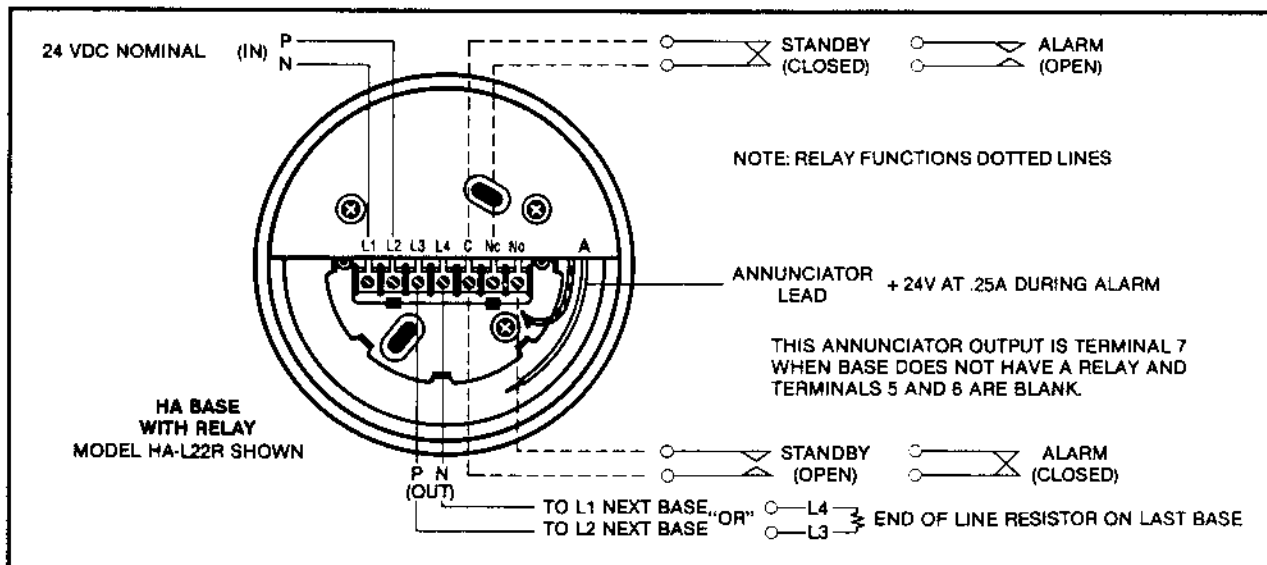


INSTALLATION

HA-Style bases are normally installed to an outlet box, but occasionally directly to the ceiling. When using an outlet box, use a 4 inch octagonal box. Mount the base to this box with the 2 screws provided. Wiring connections are usually made to the molded terminal block portion of the base except for certain relay and heat detector optional base configurations. Connections are made prior to mounting the base to the ceiling or electrical outlet box. Once wiring is completed, however, it is possible to check this wir-

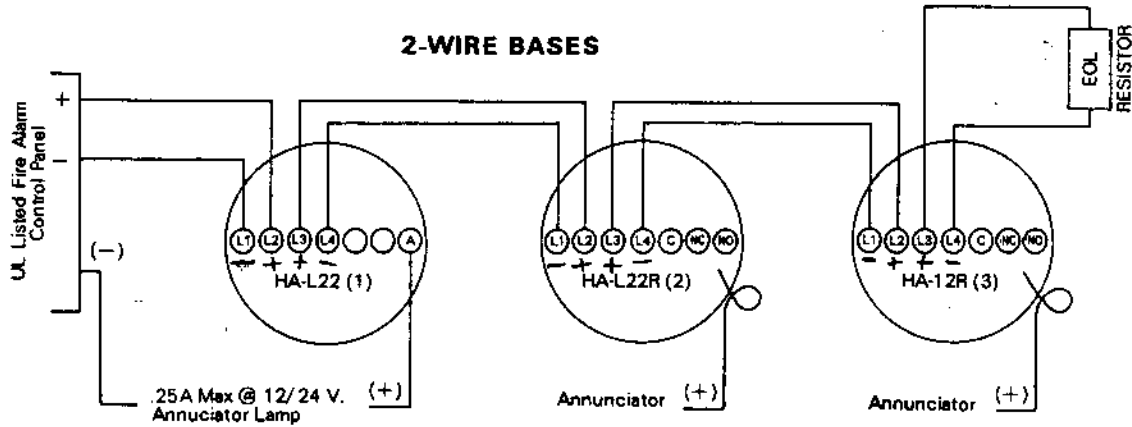
ing with the base mounted to the outlet box and the detector removed. The terminals to which wiring is made are feed-through type and so electrical measurements can be made without the need to remove the base from the ceiling or the ceiling mounted outlet box.

The figure below shows the terminal side of a 2 wire base with a relay option.



HA STYLE BASES

2-WIRE BASES

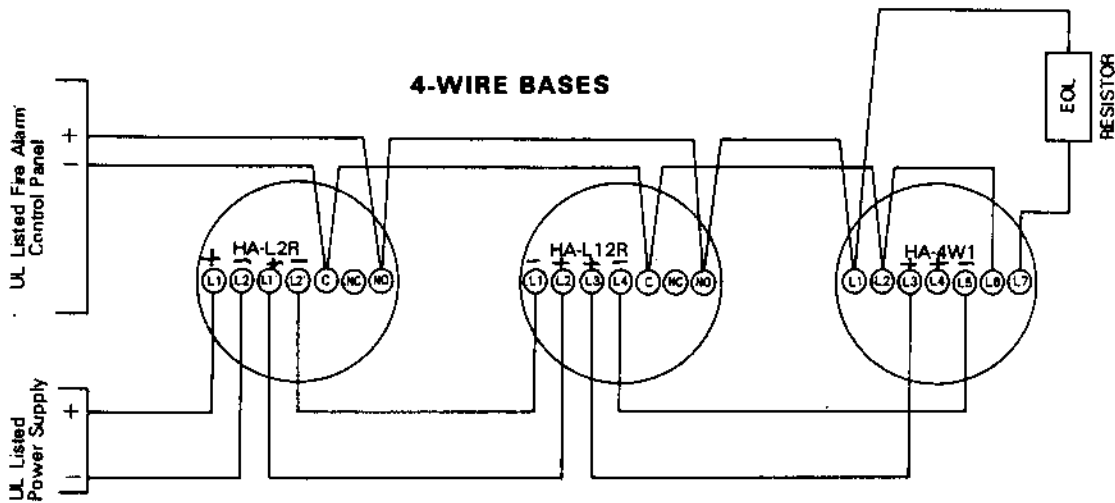


PANEL MODELS

DETECTORS

	DETECTORS		
	SLG-24	SIF-24	SLG-12
HOCHIKI AL-136	20/ZONE Bases- (1) (2) (3)	20/ZONE (1) (2) (3)	N/A
HOCHIKI AL-150	30/ZONE (1) (2) (3)	30/ZONE (1) (2) (3)	N/A
HOCHIKI AL-151	N/A	N/A	20/ZONE (1) (3)

4-WIRE BASES



BASE

HA-L2R
HA-L12R (12 VDC ONLY)
HA-4W1 (24 VDC ONLY)

ALARM CURRENT

40 mA
40 mA (12 V SYSTEMS USE EOL RELAY)
50 mA

Use Sensitivity Monitor TSI-A100 to verify detector sensitivity

FOR ADDITIONAL INFORMATION, PLEASE REFER TO TECHNICAL BULLETIN HA-83 & 84

INSTALLATION DRAWING

HA-92580-1J

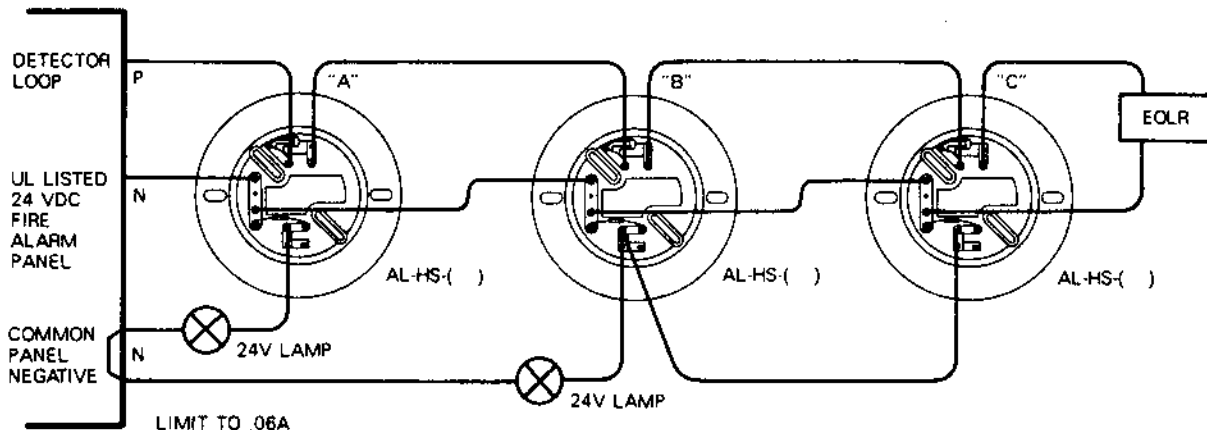
Dated 11-7-85

HS STYLE BASES

WIRING DIAGRAM

When wired in the manner below, you will have a short on the detector loop when any detector goes into alarm which will signal the control panel. "A" when in alarm, will also light only the lamp wired to

L2. "B" and "C" are wired into a common annunciator output circuit and if either or both the "B" and/or "C" detector is in alarm, the lamp will light.



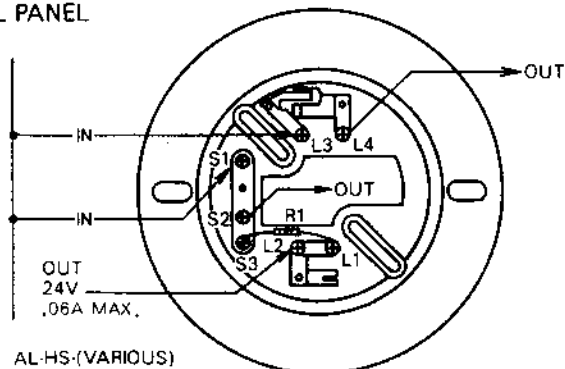
PANEL MODEL	SIF-24F	SLG-24F (24FH)
Hochiki (AL-150)	30/Zone	30/Zone
WORKING VOLTAGE	16-30 VDC	15-30 VDC
RATED VOLTAGE	18.8-27.7 VDC	17.6-27.7 VDC

SEE DRAWING AL 150/1-L1

Use Sensitivity Monitor TSI-A100

Refer to the panel instructions for proper EOL Resistor and for the proper (+) and (-) detector hook-up terminals.

UL LISTED COMPATIBLE CONTROL PANEL



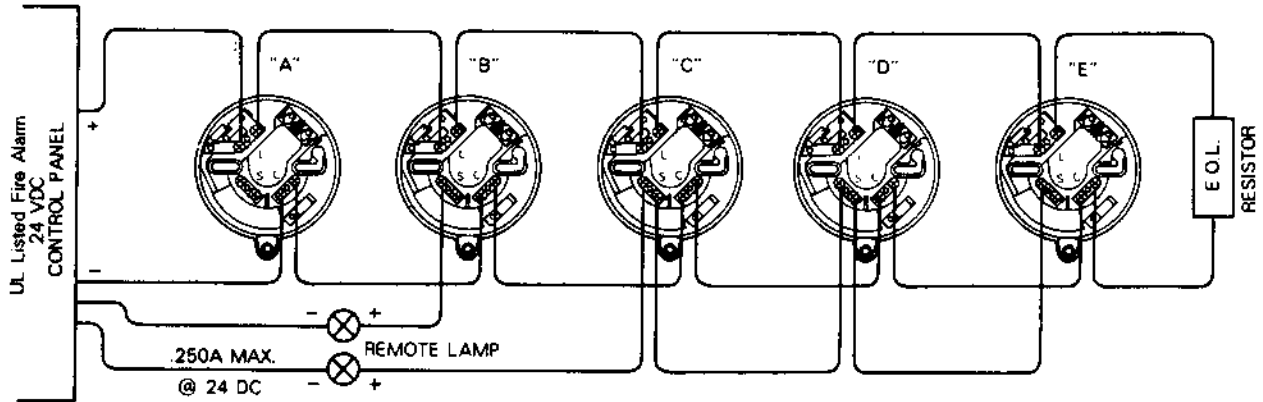
YBC STYLE BASES

2-WIRE BASES

TYPICAL WIRING DIAGRAM

Model YBC-RL/4 Base: Wiring should be made as shown to only the L and C terminals when a remote lamp is NOT required as shown for unit "A". If a remote lamp IS required, terminal S is used to power one side of the lamp. If each detector is to have its own remote lamp, then refer to unit "B". If, how-

ever, a group of detectors is to light a single remote lamp, then refer to units "C,D and E". In this case, should any one or more detectors go into alarm, the common remote lamp will light. In all cases, an end-of-line resistor will go across terminals L and C of the last detector base on two wire EOLR type systems.

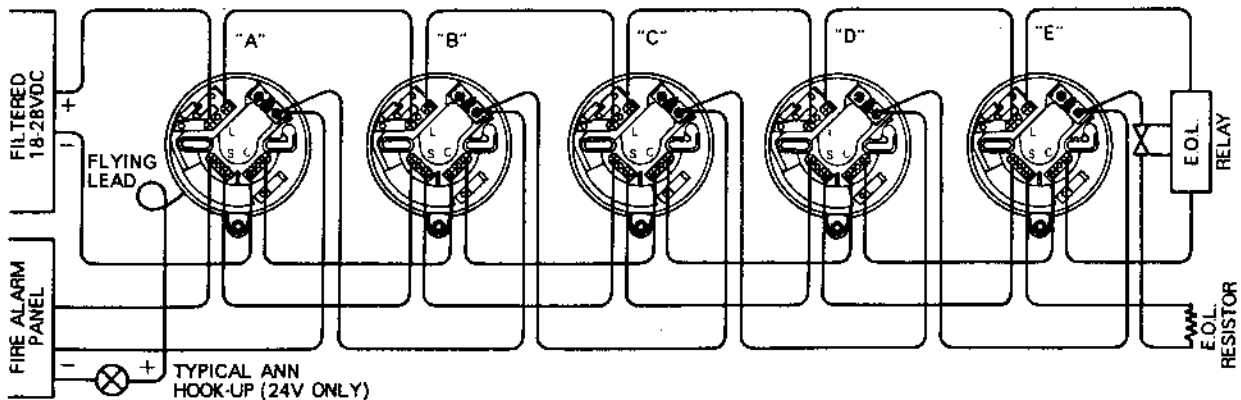


4-WIRE BASES

TYPICAL WIRING DIAGRAM

Wiring should be made to L2(in) and L1(out) from the + side of Power Supply and C5(in) C6(out) from the - side of Power Supply. The detectors now are powered. To supervise this power an EOL relay is needed. The detection loop from the fire

alarm contact surfaces for each terminal interconnection between head and base increasing reliability. Built in LED signals when the detector is in alarm. Alarm causes the LED to illuminate.



Compatibility and units per zone same as HA Style bases.

See page 1 for Sensitivity Monitor Instructions.

Use YBC-RL/4RA for 12 Vdc, YBC-RL/4RB for 24 Vdc on all 4-Wire Systems.

CONTROL PANEL (CONFIGURATION)	ION DETECTOR		PHOTO DETECTOR		RELAY BASES				REGULAR BASES				SMALL DIAMETER BASES				LOW COST BASES								
	HA SIF-24	HA SIF-24F	HA SLG-24	HA SLG-24F	HA L22R	HA SLR	HA L2R	YBC RL/4RB	HA L22	HA L20	HA L21	HA L21	HA L24	YBC RL/4	YBC RL/4-1	YBC RL/4-2	YBC RL/4-4	HS -2	HS -21	HS -22	HS -220	HS -221	HS -224	HS -225	
EPC MODEL 8420 (FIRELITE) 424 DWG # 8012 2/84 (8494) (8493) (8487) *(8423) - (DCC-2)	30	30	22	22																					
FIRELITE MODEL SENSICAN 1000 *(ANC-2B) (BCM-2) (INC-11-B) (PSM-104CB) (SWC-8) (TMM-3) DWG # 15374 11/84	30	30	22	22																					
FENWAL MODEL 2210 DWG # 2210.1 12/84	40	40	33	33																					
HOCHIKI MODEL HA-AL150 DWG # AL150/1-L1 07/86	30	30	30	30																					
NOTIFIER MODEL 4800-1 (SLG-1) *(4Z2W) (CC-48R) (PS-48R) ISS. B/1984 DWG # 123-0124	20	20	18	18																					
FIRE CONTROL INSTRUMENTS FC72 W/3DM SBP-2 OR SBP-4 DWG # 9000034 8/83	33	33	33	33																					
MIRTONE IND., LTD 11/83 707090 08/81 712 (*71237) DWG # 71202	12	12	10	10																					